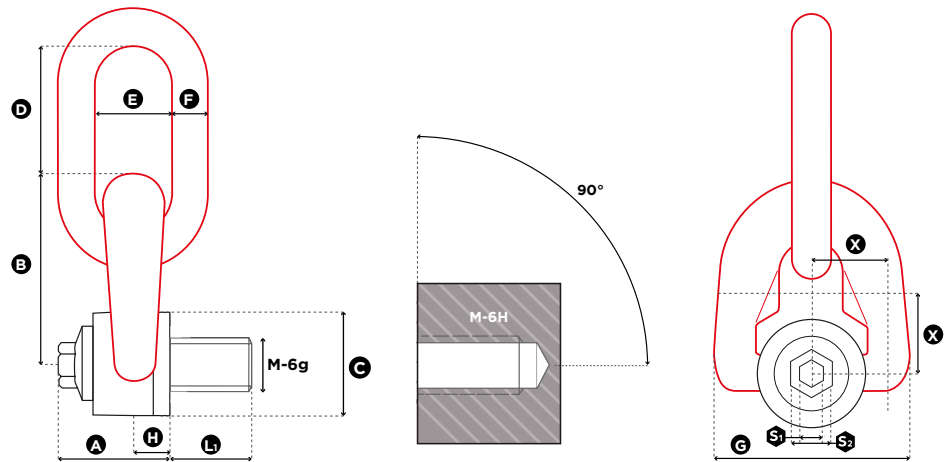


TSR

METRIC THREADS

TRIPLE SWIVEL RING



1 in = 25.4 mm

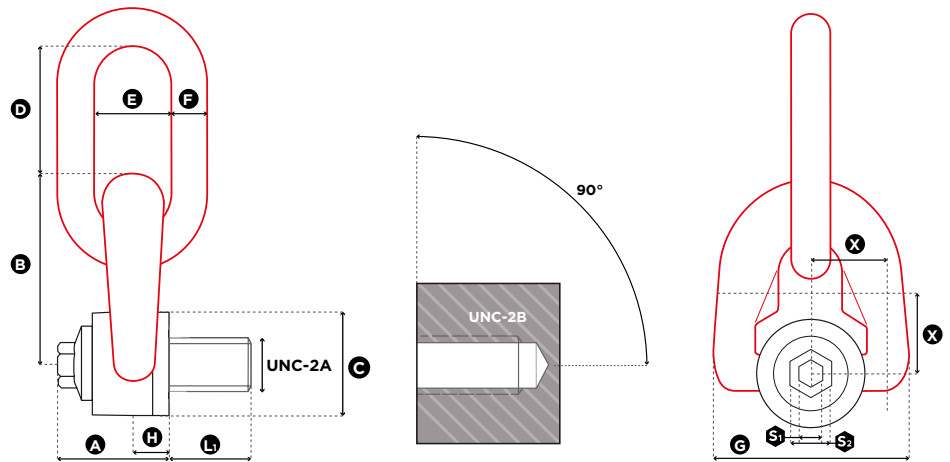
Reference	Diameter	SF 5:1 WLL (t)	Standard L ₁ (mm)	Torque (Nm)		S ₁ (mm)	S ₂ (mm)	A (mm)	B (mm)	C (mm)	D (mm)	E (mm)	F (mm)	G (mm)	H (mm)	Weight	
																(kg)	(lbs)
TSR M 8	M 8 (x1,25)	0,40	15	6	18	8	16	33	56	30	41	25	10	58	9,5	0,4	0.88
TSR M 10	M 10 (x1,50)	0,70	18	10	18	8	16	33	56	30	41	25	10	58	9,5	0,4	0.88
TSR M 12	M 12 (x1,75)	1,05	21	15	18	8	16	33	56	30	41	25	10	58	9,5	0,4	0.88
TSR M 14	M 14 (x2)	1,40	23	30	24	8	20	45	81	45	48	34	16	79	13,0	1,1	2.43
TSR M 16	M 16 (x2)	2,00	27	50	24	8	20	45	81	45	48	34	16	79	13,0	1,2	2.65
TSR M 18	M 18 (x2,5)	2,30	27	70	24	8	20	45	81	45	48	34	16	79	13,0	1,2	2.65
TSR M 20	M 20 (x2,5)	2,50	30	100	24	8	20	45	81	45	48	34	16	79	13,0	1,2	2.65
TSR M 22*	M 22 (x2,5)	3,00	33	120	45	14	24	62	105	60	80	45	20	106	19,0	2,8	6.17
TSR M 24*	M 24 (x3)	4,00	36	160	45	14	24	62	105	60	80	45	20	106	19,0	2,9	6.39
TSR M 27*	M 27 (x3)	5,00	36	200	45	14	24	62	105	60	80	45	20	106	19,0	2,9	6.39
TSR M 30*	M 30 (x3,5)	6,30	45	250	45	14	24	62	105	60	80	45	20	106	19,0	3,0	6.61
TSR M 36*	M 36 (x4)	10,00	54	320	54	19	30	81	140	80	111	71	30	148	26,5	7,6	16.76
TSR M 42*	M 42 (x4,5)	12,50	63	400	58	19	30	84	146	80	111	71	30	148	26,5	7,8	17.20

Reference	Diameter	SF 4:1 WLL (t)	Standard L ₁ (mm)	Torque (Nm)		S ₁ (mm)	S ₂ (mm)	A (mm)	B (mm)	C (mm)	D (mm)	E (mm)	F (mm)	G (mm)	H (mm)	Weight	
																(kg)	(lbs)
TSR M 48	M 48 (x5)	20,00	68	600	69	19	30	100	178	110	135	90	42	180	33,0	17,5	38.58
TSR M 56	M 56 (x5,5)	22,00	78	600	73	19	30	104	184	110	135	90	42	190	33,0	18,0	39.68

* On request / Sur demande / Auf Anfrage / Bajo solicitud

02.2024

TRIPLE SWIVEL RING



1 in = 25.4 mm

Reference	Diameter	SF 5:1 WLL (lbs)	Standard L1 (mm)	Torque (ft-lb)		S1 (mm)	S2 (mm)	A (mm)	B (mm)	C (mm)	D (mm)	E (mm)	F (mm)	G (mm)	H (mm)	Weight	
																(kg)	(lbs)
TSR U 516	UNC 5/16"-18	1,000	15	7	18	8	16	33	56	30	41	25	10	58	9,5	0,4	0.88
TSR U 038	UNC 3/8"-16	1,300	18	8	18	8	16	33	56	30	41	25	10	58	9,5	0,4	0.88
TSR U 050	UNC 1/2"-13	2,400	21	12	18	8	16	33	56	30	41	25	10	58	9,5	0,4	0.88
TSR U 058	UNC 5/8"-11	3,900	27	40	24	8	20	45	81	45	56	37	14	79	13	1,1	2.43
TSR U 075	UNC 3/4"-10	5,250	30	80	24	8	20	45	81	45	56	37	14	79	13	1,2	2.65
TSR U 078*	UNC 7/8"-9	6,600	33	90	41	14	24	62	84	60	80	45	20	106	19	2,7	5.95
TSR U 100*	UNC 1"-8	10,000	36	125	41	14	24	62	84	60	80	45	20	106	19	2,8	6.17
TSR U 125*	UNC 1" 1/4-7	14,000	46	200	41	14	24	84	146	80	111	71	30	106	26,5	7,1	15.65
TSR U 150*	UNC 1" 1/2-6	20,000	61	240	54	19	30	84	146	80	111	71	30	148	26,5	7,7	16.98

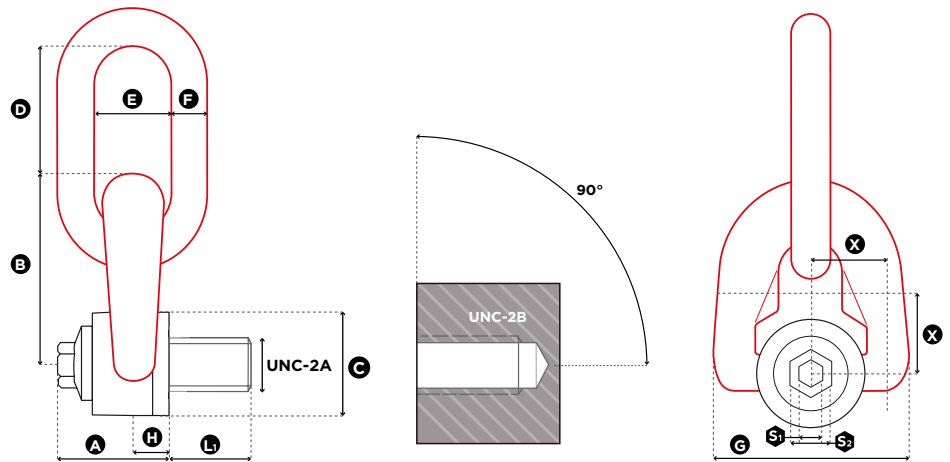
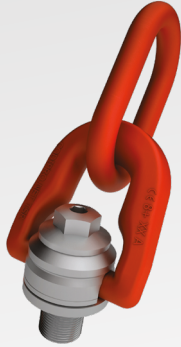
1 in = 25.4 mm

Reference	Diameter	SF 4:1 WLL (lbs)	Standard L1 (mm)	Torque (ft-lb)		S1 (mm)	S2 (mm)	A (mm)	B (mm)	C (mm)	D (mm)	E (mm)	F (mm)	G (mm)	H (mm)	Weight	
																(kg)	(lbs)
TSR U 200	UNC 2" 4,5	50,000	76	450	66	19	30	104	184	110	135	90	42	190	33	17,7	39.02

* On request / Sur demande / Auf Anfrage / Bajo solicitud

TSR

TRIPLE SWIVEL RING



1 in = 25.4 mm

Reference	Diameter	SF 5:1 WLL (lbs)	Standard L ₁ (inch)	Torque (ft-lb)		S ₁ (inch)	S ₂ (inch)	A (inch)	B (inch)	C (inch)	D (inch)	E (inch)	F (inch)	G (inch)	H (inch)	Weight	
																(kg)	(lbs)
TSR U 516	UNC 5/16"-18	1,000	0.59	7	0.71	0.31	0.63	1.30	2.20	1.18	1.61	0.98	0.39	2.28	0.37	0.4	0.88
TSR U 038	UNC 3/8"-16	1,300	0.71	8	0.71	0.31	0.63	1.30	2.20	1.18	1.61	0.98	0.39	2.28	0.37	0.4	0.88
TSR U 050	UNC 1/2"-13	2,400	0.83	12	0.71	0.31	0.63	1.30	2.20	1.18	1.61	0.98	0.39	2.28	0.37	0.4	0.88
TSR U 058	UNC 5/8"-11	3,900	1.06	40	0.94	0.31	0.79	1.77	3.19	1.77	2.20	1.46	0.55	3.11	0.51	1.1	2.43
TSR U 075	UNC 3/4"-10	5,250	1.18	80	0.94	0.31	0.79	1.77	3.19	1.77	2.20	1.46	0.55	3.11	0.51	1.2	2.65
TSR U 078*	UNC 7/8"-9	6,600	1.30	90	1.61	0.55	0.94	2.44	3.31	2.36	3.15	1.77	0.79	4.17	0.75	2.7	5.95
TSR U 100*	UNC 1"-8	10,000	1.42	125	1.61	0.55	0.94	2.44	3.31	2.36	3.15	1.77	0.79	4.17	0.75	2.8	6.17
TSR U 125*	UNC 1" 1/4-7	14,000	1.81	200	1.61	0.55	0.94	3.31	5.75	3.15	4.37	2.80	1.18	4.17	1.04	7.1	15.65
TSR U 150*	UNC 1" 1/2-6	20,000	2.40	240	2.13	0.75	1.18	3.31	5.75	3.15	4.37	2.80	1.18	5.83	1.04	7.7	16.98

1 in = 25.4 mm

Reference	Diameter	SF 4:1 WLL (lbs)	Standard L ₁ (inch)	Torque (ft-lb)		S ₁ (inch)	S ₂ (inch)	A (inch)	B (inch)	C (inch)	D (inch)	E (inch)	F (inch)	G (inch)	H (inch)	Weight	
																(kg)	(lbs)
TSR U 200	UNC 2" 4,5	50,000	2.99	450	2.60	0.75	1.18	4.09	7.24	4.33	5.31	3.54	1.65	7.48	1.30	17.7	39.02

* On request / Sur demande / Auf Anfrage / Bajo solicitud