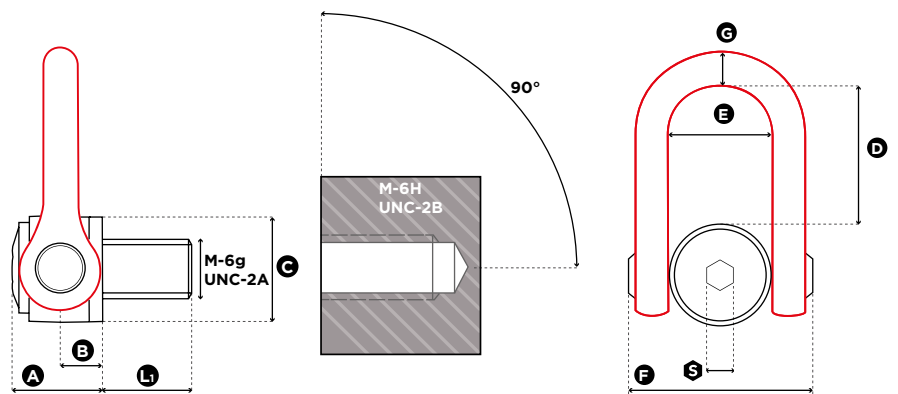


DSS

METRIC / UNC THREADS

DOUBLE SWIVEL SHACKLE OFFSHORE APPLICATIONS - INTERNAL USE



1 in = 25.4 mm

| Reference | Diameter | SF 5:1 WLL (t) | SF 4:1 WLL (t) | Standard L1 (mm) | Torque (Nm) | S (mm) | A (mm) | B (mm) | C (mm) | D (mm) | E (mm) | F (mm) | G (mm) | Weight | |
|-------------|-------------|----------------|----------------|------------------|-------------|--------|--------|--------|--------|--------|--------|--------|--------|--------|-------|
| | | | | | | | | | | | | | | (kg) | (lbs) |
| DSS M 24 UP | M 24 (x3) | 4,50 | 5,50 | 36 | 160 | 19 | 61 | 31 | 70 | 98 | 73 | 149 | 33 | 5,4 | 11.90 |
| DSS M 30 UP | M 30 (x3.5) | 7,70 | 8,50 | 45 | 250 | 19 | 61 | 31 | 70 | 98 | 73 | 149 | 33 | 5,5 | 12.13 |
| DSS M 36 UP | M 36 (x4) | 11,00 | 12,00 | 54 | 320 | 19 | 61 | 31 | 70 | 98 | 73 | 149 | 33 | 5,5 | 12.13 |
| DSS M 42 UP | M 42 (x4,5) | 13,00 | 15,00 | 63 | 400 | 19 | 61 | 31 | 70 | 98 | 73 | 149 | 33 | 5,8 | 12.79 |

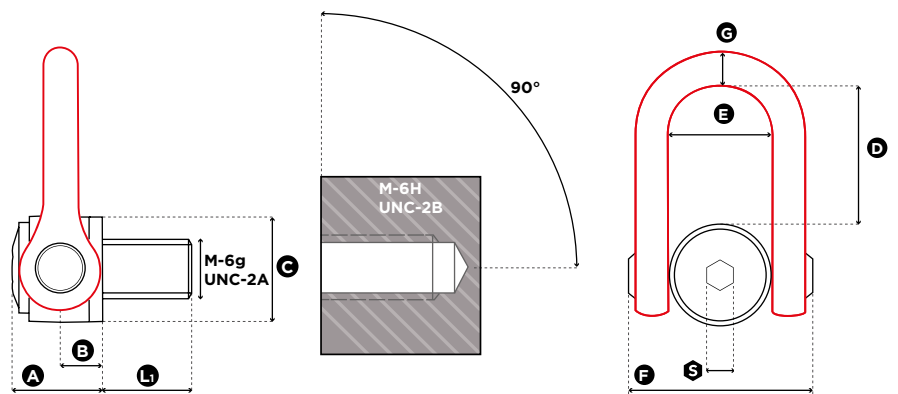
| Reference | Diameter | SF 5:1 WLL (lbs) | SF 4:1 WLL (lbs) | Standard L1 (inch) | Torque (ft-lb) | S (inch) | A (inch) | B (inch) | C (inch) | D (inch) | E (inch) | F (inch) | G (inch) | Weight | |
|--------------|--------------|------------------|------------------|--------------------|----------------|----------|----------|----------|----------|----------|----------|----------|----------|--------|-------|
| | | | | | | | | | | | | | | (kg) | (lbs) |
| DSS U 100 UP | UNC 1"-8 | 10,000 | 13,000 | 36 | 125 | 19 | 61 | 31 | 70 | 98 | 73 | 149 | 33 | 5,4 | 11.90 |
| DSS U 125 UP | UNC 1" 1/4-7 | 15,000 | 19,000 | 45 | 200 | 19 | 61 | 31 | 70 | 98 | 73 | 149 | 33 | 5,4 | 11.90 |
| DSS U 150 UP | UNC 1" 1/2-6 | 22,000 | 27,000 | 54 | 240 | 19 | 61 | 31 | 70 | 98 | 73 | 149 | 33 | 5,4 | 11.90 |
| DSS U 175 UP | UNC 1" 3/4-5 | 27,000 | 33,000 | 63 | 300 | 19 | 61 | 31 | 70 | 98 | 73 | 149 | 33 | 5,9 | 13.01 |

03.2024

DSS

METRIC / UNC THREADS (INCH)

DOUBLE SWIVEL SHACKLE OFFSHORE APPLICATIONS - INTERNAL USE



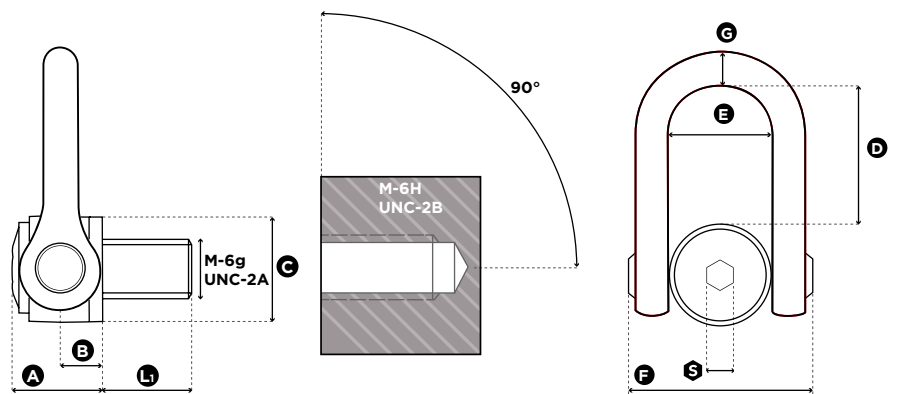
1 in = 25.4 mm

| Reference | Diameter | SF 5:1 WLL (t) | SF 4:1 WLL (t) | Standard L1 (mm) | Torque (Nm) | S (mm) | A (mm) | B (mm) | C (mm) | D (mm) | E (mm) | F (mm) | G (mm) | Weight | |
|-------------|-------------|----------------|----------------|------------------|-------------|--------|--------|--------|--------|--------|--------|--------|--------|--------|-------|
| | | | | | | | | | | | | | | (kg) | (lbs) |
| DSS M 24 UP | M 24 (x3) | 4,50 | 5,50 | 36 | 160 | 19 | 61 | 31 | 70 | 98 | 73 | 149 | 33 | 5,4 | 11.90 |
| DSS M 30 UP | M 30 (x3.5) | 7,70 | 8,50 | 45 | 250 | 19 | 61 | 31 | 70 | 98 | 73 | 149 | 33 | 5,5 | 12.13 |
| DSS M 36 UP | M 36 (x4) | 11,00 | 12,00 | 54 | 320 | 19 | 61 | 31 | 70 | 98 | 73 | 149 | 33 | 5,5 | 12.13 |
| DSS M 42 UP | M 42 (x4,5) | 13,00 | 15,00 | 63 | 400 | 19 | 61 | 31 | 70 | 98 | 73 | 149 | 33 | 5,8 | 12.79 |

| Reference | Diameter | SF 5:1 WLL (lbs) | SF 4:1 WLL (lbs) | Standard L1 (mm) | Torque (ft-lb) | S (mm) | A (mm) | B (mm) | C (mm) | D (mm) | E (mm) | F (mm) | G (mm) | Weight | |
|--------------|--------------|------------------|------------------|------------------|----------------|--------|--------|--------|--------|--------|--------|--------|--------|--------|-------|
| | | | | | | | | | | | | | | (kg) | (lbs) |
| DSS U 100 UP | UNC 1"-8 | 10,000 | 13,000 | 1.42 | 125 | 0.75 | 2.40 | 1.22 | 2.76 | 3.86 | 2.87 | 5.87 | 1.30 | 5,4 | 11.90 |
| DSS U 125 UP | UNC 1" 1/4-7 | 15,000 | 19,000 | 1.77 | 200 | 0.75 | 2.40 | 1.22 | 2.76 | 3.86 | 2.87 | 5.87 | 1.30 | 5,4 | 11.90 |
| DSS U 150 UP | UNC 1" 1/2-6 | 22,000 | 27,000 | 2.13 | 240 | 0.75 | 2.40 | 1.22 | 2.76 | 3.86 | 2.87 | 5.87 | 1.30 | 5,4 | 11.90 |
| DSS U 175 UP | UNC 1" 3/4-5 | 27,000 | 33,000 | 2.48 | 300 | 0.75 | 2.40 | 1.22 | 2.76 | 3.86 | 2.87 | 5.87 | 1.30 | 5,9 | 13.01 |

03.2024

DOUBLE SWIVEL SHACKLE OFFSHORE APPLICATIONS - EXTERNAL USE

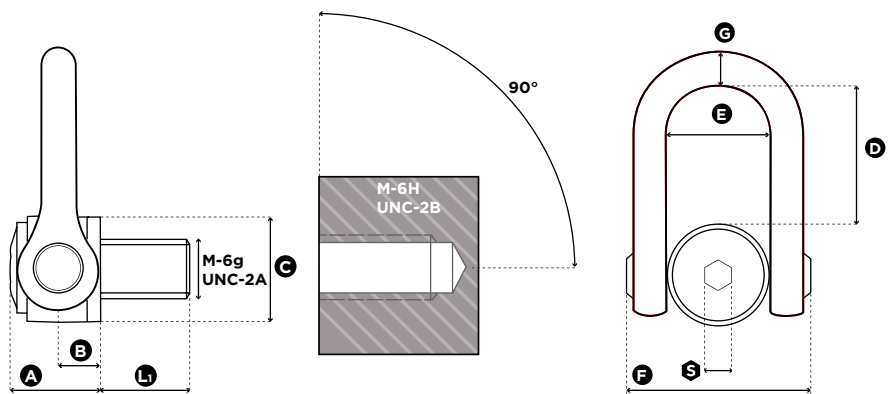


1 in = 25.4 mm

| Reference | Diameter | SF 5:1 WLL (t) | SF 4:1 WLL (t) | Standard L1 (mm) | Torque (Nm) | S (mm) | A (mm) | B (mm) | C (mm) | D (mm) | E (mm) | F (mm) | G (mm) | Weight | |
|----------------|-------------|----------------|----------------|------------------|-------------|--------|--------|--------|--------|--------|--------|--------|--------|--------|-------|
| | | | | | | | | | | | | | | (kg) | (lbs) |
| OS.DSS M 24 UP | M 24 (x3) | 4,50 | 5,50 | 36 | 160 | 19 | 61 | 31 | 70 | 98 | 73 | 149 | 33 | 5,4 | 11.90 |
| OS.DSS M 30 UP | M 30 (x3.5) | 7,70 | 8,50 | 45 | 250 | 19 | 61 | 31 | 70 | 98 | 73 | 149 | 33 | 5,5 | 12.13 |
| OS.DSS M 36 UP | M 36 (x4) | 11,00 | 12,00 | 54 | 320 | 19 | 61 | 31 | 70 | 98 | 73 | 149 | 33 | 5,5 | 12.13 |
| OS.DSS M 42 UP | M 42 (x4,5) | 13,00 | 15,00 | 63 | 400 | 19 | 61 | 31 | 70 | 98 | 73 | 149 | 33 | 5,8 | 12.79 |

| Reference | Diameter | SF 5:1 WLL (lbs) | SF 4:1 WLL (lbs) | Standard L1 (mm) | Torque (ft-lb) | S (mm) | A (mm) | B (mm) | C (mm) | D (mm) | E (mm) | F (mm) | G (mm) | Weight | |
|-----------------|--------------|------------------|------------------|------------------|----------------|--------|--------|--------|--------|--------|--------|--------|--------|--------|-------|
| | | | | | | | | | | | | | | (kg) | (lbs) |
| OS.DSS U 100 UP | UNC 1"-8 | 10,000 | 13,000 | 36 | 125 | 19 | 61 | 31 | 70 | 98 | 73 | 149 | 33 | 5,4 | 11.90 |
| OS.DSS U 125 UP | UNC 1" 1/4-7 | 15,000 | 19,000 | 45 | 200 | 19 | 61 | 31 | 70 | 98 | 73 | 149 | 33 | 5,4 | 11.90 |
| OS.DSS U 150 UP | UNC 1" 1/2-6 | 22,000 | 27,000 | 54 | 240 | 19 | 61 | 31 | 70 | 98 | 73 | 149 | 33 | 5,4 | 11.90 |
| OS.DSS U 175 UP | UNC 1" 3/4-5 | 27,000 | 33,000 | 63 | 300 | 19 | 61 | 31 | 70 | 98 | 73 | 149 | 33 | 5,9 | 13.01 |

DOUBLE SWIVEL SHACKLE OFFSHORE APPLICATIONS - EXTERNAL USE



1 in = 25.4 mm

| Reference | Diameter | SF 5:1 WLL (t) | SF 4:1 WLL (t) | Standard L1 (mm) | Torque (Nm) | S (mm) | A (mm) | B (mm) | C (mm) | D (mm) | E (mm) | F (mm) | G (mm) | Weight | |
|----------------|-------------|----------------|----------------|------------------|-------------|--------|--------|--------|--------|--------|--------|--------|--------|--------|-------|
| | | | | | | | | | | | | | | (kg) | (lbs) |
| OS.DSS M 24 UP | M 24 (x3) | 4,50 | 5,50 | 36 | 160 | 19 | 61 | 31 | 70 | 98 | 73 | 149 | 33 | 5,4 | 11.90 |
| OS.DSS M 30 UP | M 30 (x3.5) | 7,70 | 8,50 | 45 | 250 | 19 | 61 | 31 | 70 | 98 | 73 | 149 | 33 | 5,5 | 12.13 |
| OS.DSS M 36 UP | M 36 (x4) | 11,00 | 12,00 | 54 | 320 | 19 | 61 | 31 | 70 | 98 | 73 | 149 | 33 | 5,5 | 12.13 |
| OS.DSS M 42 UP | M 42 (x4,5) | 13,00 | 15,00 | 63 | 400 | 19 | 61 | 31 | 70 | 98 | 73 | 149 | 33 | 5,8 | 12.79 |

| Reference | Diameter | SF 5:1 WLL (lbs) | SF 4:1 WLL (lbs) | Standard L1 (inch) | Torque (ft-lb) | S (inch) | A (inch) | B (inch) | C (inch) | D (inch) | E (inch) | F (inch) | G (inch) | Weight | |
|-----------------|--------------|------------------|------------------|--------------------|----------------|----------|----------|----------|----------|----------|----------|----------|----------|--------|-------|
| | | | | | | | | | | | | | | (kg) | (lbs) |
| OS.DSS U 100 UP | UNC 1"-8 | 10,000 | 13,000 | 1.42 | 125 | 0.75 | 2.40 | 1.22 | 2.76 | 3.86 | 2.87 | 5.87 | 1.30 | 5,4 | 11.90 |
| OS.DSS U 125 UP | UNC 1" 1/4-7 | 15,000 | 19,000 | 1.77 | 200 | 0.75 | 2.40 | 1.22 | 2.76 | 3.86 | 2.87 | 5.87 | 1.30 | 5,4 | 11.90 |
| OS.DSS U 150 UP | UNC 1" 1/2-6 | 22,000 | 27,000 | 2.13 | 240 | 0.75 | 2.40 | 1.22 | 2.76 | 3.86 | 2.87 | 5.87 | 1.30 | 5,4 | 11.90 |
| OS.DSS U 175 UP | UNC 1" 3/4-5 | 27,000 | 33,000 | 2.48 | 300 | 0.75 | 2.40 | 1.22 | 2.76 | 3.86 | 2.87 | 5.87 | 1.30 | 5,9 | 13.01 |