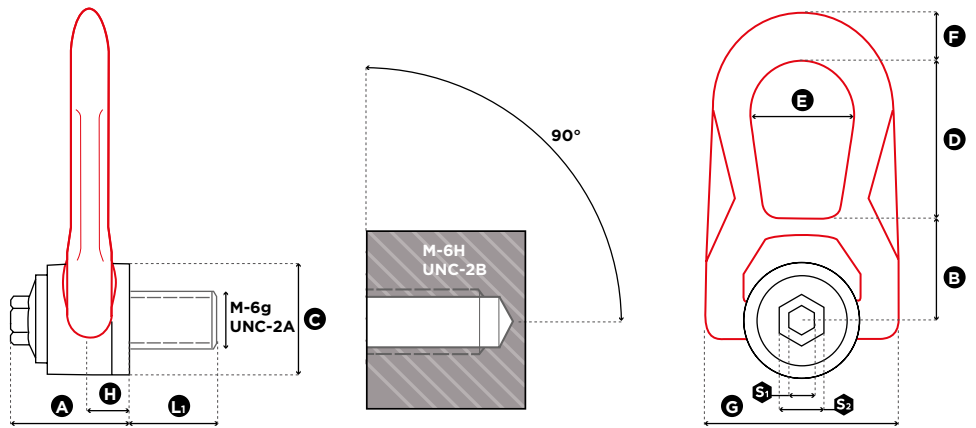


DOUBLE SWIVEL RING OFFSHORE APPLICATIONS - INTERNAL USE

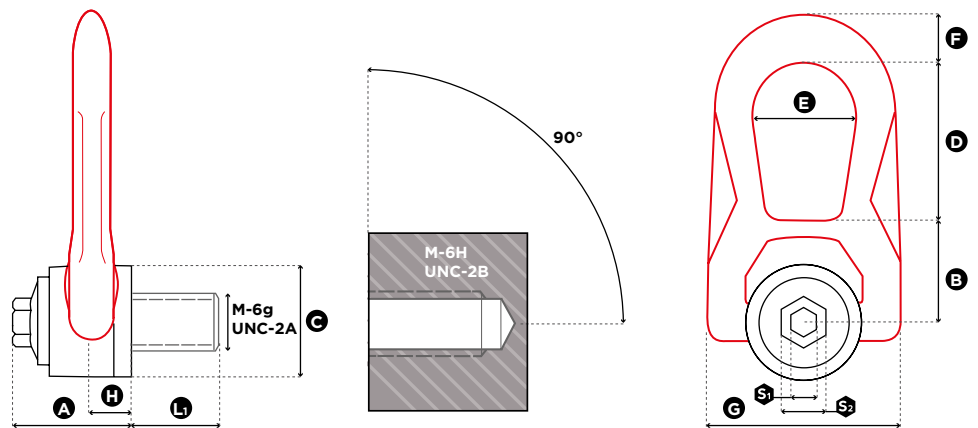


1 in = 25.4 mm

Reference	Diameter	SF 5:1 WLL (t)	SF 4:1 WLL (t)	Standard L ₁ (mm)	Torque (Nm)	S ₁ (mm)	S ₂ (mm)	A (mm)	B (mm)	C (mm)	D (mm)	E (mm)	F (mm)	G (mm)	H (mm)	Weight	
																(kg)	(lbs)
DSR M 10 UP	M 10 (x1.50)	0,70	0,90	18	10	8	16	33	30	30	38	27	14	53	9,5	0,3	0.66
DSR M 12 UP	M 12 (x1.75)	1,05	1,30	21	15	8	16	33	30	30	38	27	14	53	9,5	0,3	0.66
DSR M 16 UP	M 16 (x2)	2,00	2,30	27	50	8	20	45	40	45	53	38	17	76	13	0,9	1.98
DSR M 20 3t2 UP	M 20 (x2.5)	2,90	3,20	25	100	14	24	62	55	60	83	55	25	115	19	2,6	5.73
DSR M 24 UP	M 24 (x3)	4,40	5,50	36	160	14	24	62	55	60	83	55	25	115	19	2,6	5.73
DSR M 30 6t3 UP	M 30 (x3.5)	6,00	6,30	45	250	14	24	62	55	60	83	55	25	115	19	2,7	5.95

Reference	Diameter	SF 5:1 WLL (lbs)	SF 4:1 WLL (lbs)	Standard L ₁ (mm)	Torque (ft-lb)	S ₁ (mm)	S ₂ (mm)	A (mm)	B (mm)	C (mm)	D (mm)	E (mm)	F (mm)	G (mm)	H (mm)	Weight	
																(kg)	(lbs)
DSR U 038 UP	UNC 3/8"-16	1,300	1,600	17	8	8	16	32	30	30	38	27	14	53	95	0,3	0.66
DSR U 050 UP	UNC 1/2"-13	2,400	2,800	21	12	8	16	32	30	30	38	27	14	53	95	0,3	0.66
DSR U 058 UP	UNC 5/8"-11	3,900	4,900	27	40	8	20	45	40	45	53	38	17	76	13	0,9	1.98
DSR U 075 UP	UNC 3/4"-10	5,250	5,250	30	80	8	20	45	40	45	53	38	17	76	13	0,9	1.98
DSR U 100 UP	UNC 1"-8	11,200	12,500	36	125	14	24	62	55	60	83	55	25	115	19	2,6	5.73
DSR U 125 UP	UNC 1" 1/4-7	13,500	13,500	45	200	14	24	62	55	60	83	55	25	115	19	2,7	5.95

DOUBLE SWIVEL RING OFFSHORE APPLICATIONS - INTERNAL USE

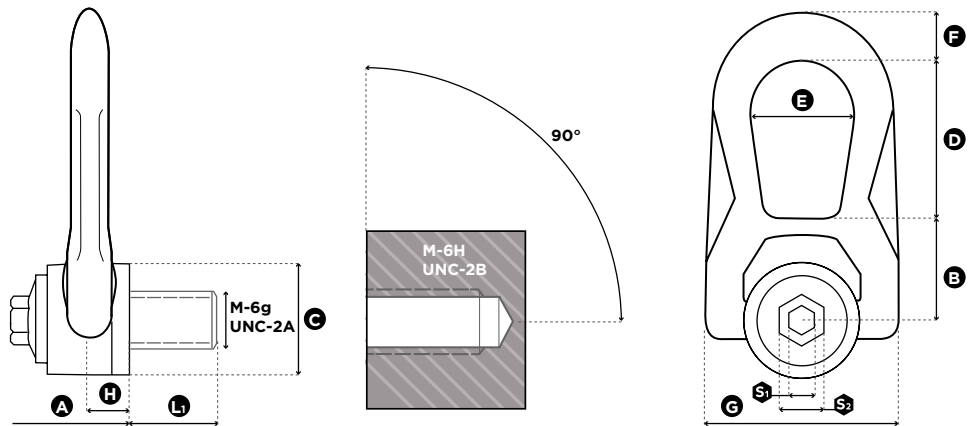


1 in = 25.4 mm

Reference	Diameter	SF 5:1 WLL (t)	SF 4:1 WLL (t)	Standard L ₁ (mm)	Torque (Nm)	S ₁ (mm)	S ₂ (mm)	A (mm)	B (mm)	C (mm)	D (mm)	E (mm)	F (mm)	G (mm)	H (mm)	Weight	
																(kg)	(lbs)
DSR M 10 UP	M 10 (x1.50)	0,70	0,90	18	10	8	16	33	30	30	38	27	14	53	9,5	0,3	0.66
DSR M 12 UP	M 12 (x1.75)	1,05	1,30	21	15	8	16	33	30	30	38	27	14	53	9,5	0,3	0.66
DSR M 16 UP	M 16 (x2)	2,00	2,30	27	50	8	20	45	40	45	53	38	17	76	13	0,9	1.98
DSR M 20 3t2 UP	M 20 (x2.5)	2,90	3,20	25	100	14	24	62	55	60	83	55	25	115	19	2,6	5.73
DSR M 24 UP	M 24 (x3)	4,40	5,50	36	160	14	24	62	55	60	83	55	25	115	19	2,6	5.73
DSR M 30 6t3 UP	M 30 (x3.5)	6,00	6,30	45	250	14	24	62	55	60	83	55	25	115	19	2,7	5.95

Reference	Diameter	SF 5:1 WLL (lbs)	SF 4:1 WLL (lbs)	Standard L ₁ (inch)	Torque (ft-lb)	S ₁ (inch)	S ₂ (inch)	A (inch)	B (inch)	C (inch)	D (inch)	E (inch)	F (inch)	G (inch)	H (inch)	Weight	
																(kg)	(lbs)
DSR U 038 UP	UNC 3/8"-16	1,300	1,600	0.67	8	0.31	0.63	1.26	1.18	1.18	1.50	1.06	0.55	2.09	3.74	0,3	0.66
DSR U 050 UP	UNC 1/2"-13	2,400	2,800	0.83	12	0.31	0.63	1.26	1.18	1.18	1.50	1.06	0.55	2.09	3.74	0,3	0.66
DSR U 058 UP	UNC 5/8"-11	3,900	4,900	1.06	40	0.31	0.79	1.77	1.57	1.77	2.09	1.50	0.67	2.99	0.51	0,9	1.98
DSR U 075 UP	UNC 3/4"-10	5,250	5,250	1.18	80	0.31	0.79	1.77	1.57	1.77	2.09	1.50	0.67	2.99	0.51	0,9	1.98
DSR U 100 UP	UNC 1"-8	11,200	12,500	1.42	125	0.55	0.94	2.44	2.17	2.36	3.27	2.17	0.98	4.53	0.75	2,6	5.73
DSR U 125 UP	UNC 1" 1/4-7	13,500	13,500	1.77	200	0.55	0.94	2.44	2.17	2.36	3.27	2.17	0.98	4.53	0.75	2,7	5.95

DOUBLE SWIVEL RING OFFSHORE APPLICATIONS - EXTERNAL USE

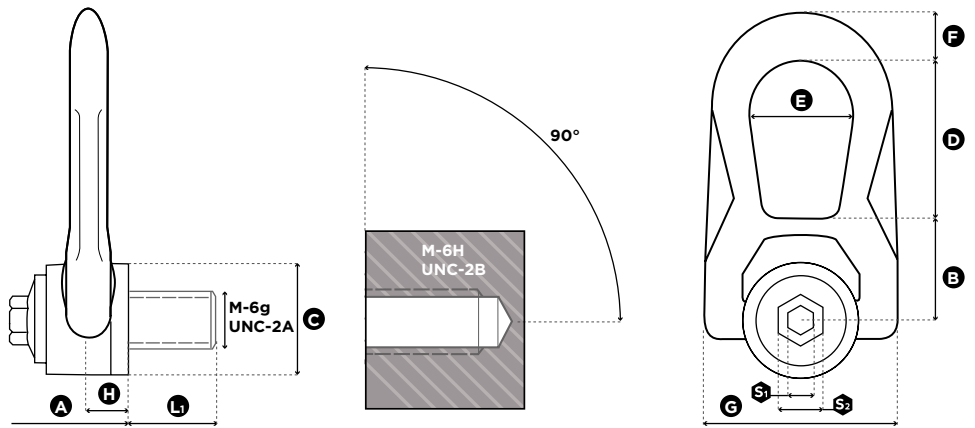


1 in = 25.4 mm

Reference	Diameter	SF 5:1 WLL (t)	SF 4:1 WLL (t)	Standard L ₁ (mm)	Torque (Nm)	S ₁ (mm)	S ₂ (mm)	A (mm)	B (mm)	C (mm)	D (mm)	E (mm)	F (mm)	G (mm)	H (mm)	Weight	
																(kg)	(lbs)
OS.DSR M 10 UP	M 10 (x1.50)	0,70	0,90	18	10	8	16	33	30	30	38	27	14	53	9,5	0,3	0,66
OS.DSR M 12 UP	M 12 (x1.75)	1,05	1,30	21	15	8	16	33	30	30	38	27	14	53	9,5	0,3	0,66
OS.DSR M 16 UP	M 16 (x2)	2,00	2,30	27	50	8	20	45	40	45	53	38	17	76	13	0,9	1,98
OS.DSR M 20 3t2 UP	M 20 (x2.5)	2,90	3,20	25	100	14	24	62	55	60	83	55	25	115	19	2,6	5,73
OS.DSR M 24 UP	M 24 (x3)	4,40	5,50	36	160	14	24	62	55	60	83	55	25	115	19	2,6	5,73
OS.DSR M 30 6t3 UP	M 30 (x3.5)	6,00	6,30	45	250	14	24	62	55	60	83	55	25	115	19	2,7	5,95

Reference	Diameter	SF 5:1 WLL (lbs)	SF 4:1 WLL (lbs)	Standard L ₁ (mm)	Torque (ft-lb)	S ₁ (mm)	S ₂ (mm)	A (mm)	B (mm)	C (mm)	D (mm)	E (mm)	F (mm)	G (mm)	H (mm)	Weight	
																(kg)	(lbs)
OS.DSR U 038 UP	UNC 3/8"-16	1,300	1,600	17	8	8	16	32	30	30	38	27	14	53	95	0,3	0,66
OS.DSR U 050 UP	UNC 1/2"-13	2,400	2,800	21	12	8	16	32	30	30	38	27	14	53	95	0,3	0,66
OS.DSR U 058 UP	UNC 5/8"-11	3,900	4,900	27	40	8	20	45	40	45	53	38	17	76	13	0,9	1,98
OS.DSR U 075 UP	UNC 3/4"-10	5,250	5,250	30	80	8	20	45	40	45	53	38	17	76	13	0,9	1,98
OS.DSR U 100 UP	UNC 1"-8	11,200	12,500	36	125	14	24	62	55	60	83	55	25	115	19	2,6	5,73
OS.DSR U 125 UP	UNC 1" 1/4-7	13,500	13,500	45	200	14	24	62	55	60	83	55	25	115	19	2,7	5,95

DOUBLE SWIVEL RING OFFSHORE APPLICATIONS - EXTERNAL USE



1 in = 25.4 mm

Reference	Diameter	SF 5:1 WLL (t)	SF 4:1 WLL (t)	Standard L ₁ (mm)	Torque (Nm)	S ₁ (mm)	S ₂ (mm)	A (mm)	B (mm)	C (mm)	D (mm)	E (mm)	F (mm)	G (mm)	H (mm)	Weight	
																(kg)	(lbs)
OS.DSR M 10 UP	M 10 (x1.50)	0,70	0,90	18	10	8	16	33	30	30	38	27	14	53	9,5	0,3	0,66
OS.DSR M 12 UP	M 12 (x1.75)	1,05	1,30	21	15	8	16	33	30	30	38	27	14	53	9,5	0,3	0,66
OS.DSR M 16 UP	M 16 (x2)	2,00	2,30	27	50	8	20	45	40	45	53	38	17	76	13	0,9	1,98
OS.DSR M 20 3t2 UP	M 20 (x2.5)	2,90	3,20	25	100	14	24	62	55	60	83	55	25	115	19	2,6	5,73
OS.DSR M 24 UP	M 24 (x3)	4,40	5,50	36	160	14	24	62	55	60	83	55	25	115	19	2,6	5,73
OS.DSR M 30 6t3 UP	M 30 (x3.5)	6,00	6,30	45	250	14	24	62	55	60	83	55	25	115	19	2,7	5,95

Reference	Diameter	SF 5:1 WLL (lbs)	SF 4:1 WLL (lbs)	Standard L ₁ (inch)	Torque (ft-lb)	S ₁ (inch)	S ₂ (inch)	A (inch)	B (inch)	C (inch)	D (inch)	E (inch)	F (inch)	G (inch)	H (inch)	Weight	
																(kg)	(lbs)
OS.DSR U 038 UP	UNC 3/8"-16	1,300	1,600	0.67	8	0.31	0.63	1.26	1.18	1.18	1.50	1.06	0.55	2.09	3.74	0,3	0,66
OS.DSR U 050 UP	UNC 1/2"-13	2,400	2,800	0.83	12	0.31	0.63	1.26	1.18	1.18	1.50	1.06	0.55	2.09	3.74	0,3	0,66
OS.DSR U 058 UP	UNC 5/8"-11	3,900	4,900	1.06	40	0.31	0.79	1.77	1.57	1.77	2.09	1.50	0.67	2.99	0.51	0,9	1,98
OS.DSR U 075 UP	UNC 3/4"-10	5,250	5,250	1.18	80	0.31	0.79	1.77	1.57	1.77	2.09	1.50	0.67	2.99	0.51	0,9	1,98
OS.DSR U 100 UP	UNC 1"-8	11,200	12,500	1.42	125	0.55	0.94	2.44	2.17	2.36	3.27	2.17	0.98	4.53	0.75	2,6	5,73
OS.DSR U 125 UP	UNC 1" 1/4-7	13,500	13,500	1.77	200	0.55	0.94	2.44	2.17	2.36	3.27	2.17	0.98	4.53	0.75	2,7	5,95