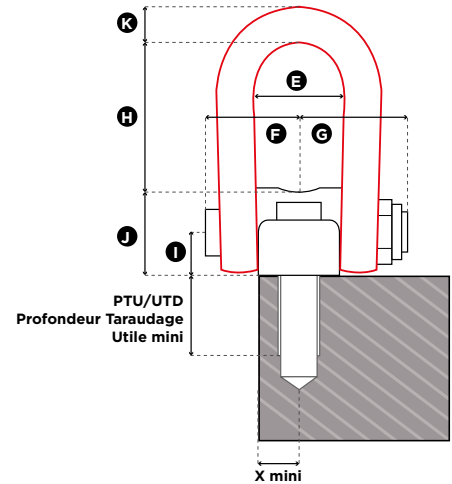
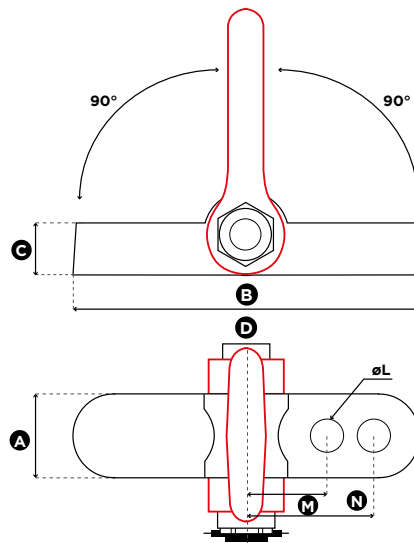


CENTRAL SAFETY SHACKLE



Lifting	0 - 90°
Levage	0 - 90°
Hebung	0 - 90°
Elevación	0 - 90°



1 in = 25.4 mm

Reference	SF 4:1 WLL (t)	X mini	A (mm)	B (mm)	C (mm)	D (mm)	E (mm)	F (mm)	G (mm)	H (mm)	I (mm)	J (mm)	K (mm)	Weight	
														(kg)	(lbs)
CSS 20	20	40	80	220	50	62	90	88	98	132	38	76	41,0	12,7	28.00
CSS 32	32	40	80	330	50	62	90	88	98	132	38	76	41,0	16,7	36.82
CSS 55	55	53	105	540	85	191	184	160	170	267	85	175	79,5	90,0	198.42

Drilling and fastening by screws DIN 912-12.9 / Perçage et fixation par vis DIN 912-12.9 / Bohrung und Montage mit Schrauben DIN 912-12.9 / Taladro y fijación por DIN 912-12.9

1 in = 25.4 mm

Reference	Drilling/Perçage/ Bohrung/Taladro			PTU/ UTD	Screw/Vis/Schraube/Tornillo						
	Ø L	M (mm)	N (mm)		Useful Minimum Thread Depth (mm)	Quantity Quantité Menge Cantidad	Model Modèle Modell Modelo	Length Longueur Länge Longitud (mm)	Head / Tête / Schraubenkopf / Encima		Torque (Nm)
									Diam (mm)	Height / Hauteur / Höhe / Altura (mm)	
CSS 20	38	70	/	54	2	M36	100	54	36	600	
CSS 32	38	70	130	54	4	M36	100	54	36	600	
CSS 55	50	133	210	85	4	M48	160	72	48	600	